

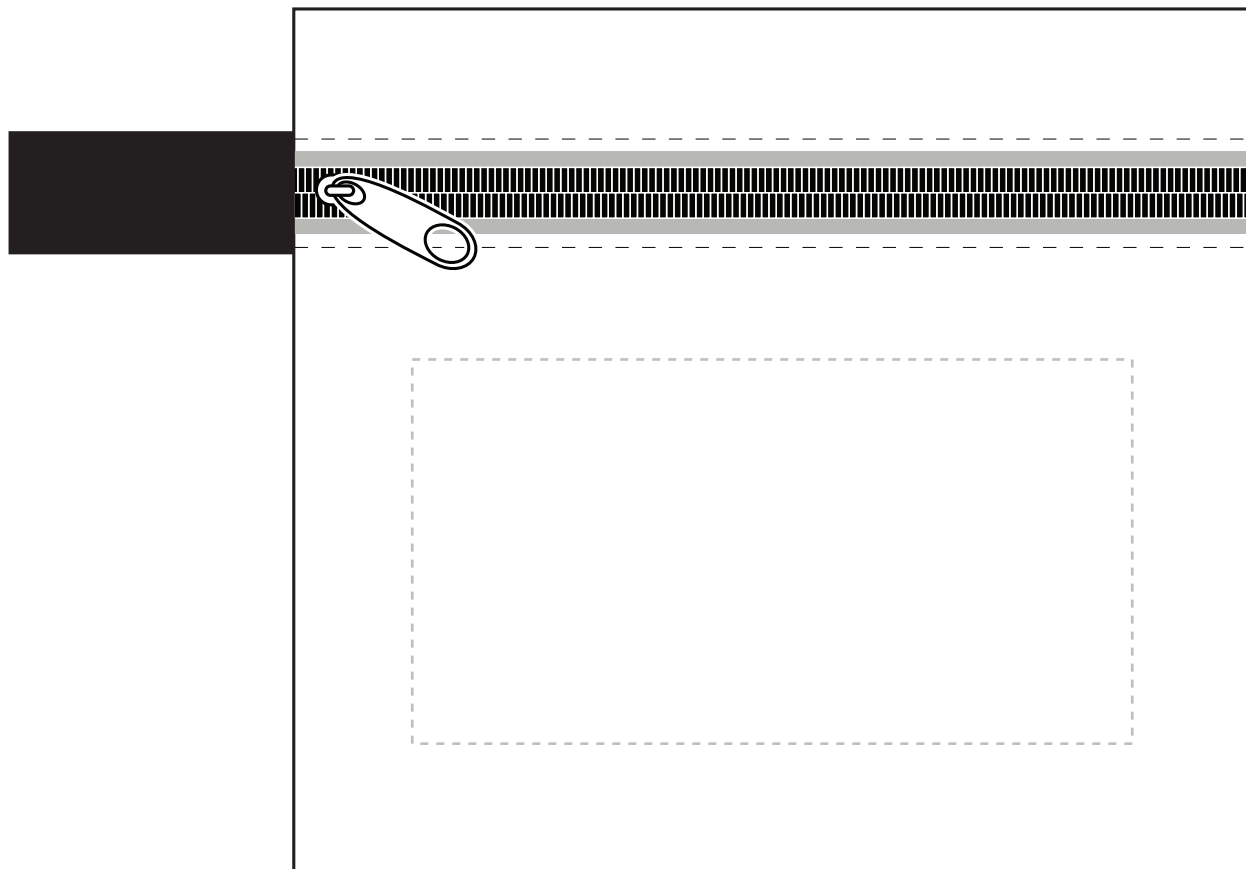
# ITEM # TK110 - Tech Earbud Accessory Kit with Microfiber Cleaning Cloth

Available Color(s) : White  
Imprint Area Size : 3-3/4" W x 2" H  
Artwork Format(s) accepted : CMYK TIF 300 dpi (with 0.25" bleed)  
or Vector EPS (type outlined)  
Artwork Recommendations : No type smaller than 7 pt.

Industry standard allows  
1/16" movement in any direction

## Purchase Order #:

\* Template Shown at 100%  
Border Does Not Print



Imprint Area

NOT TO SIZE. FOR PLACEMENT ONLY

## ART NOTES:

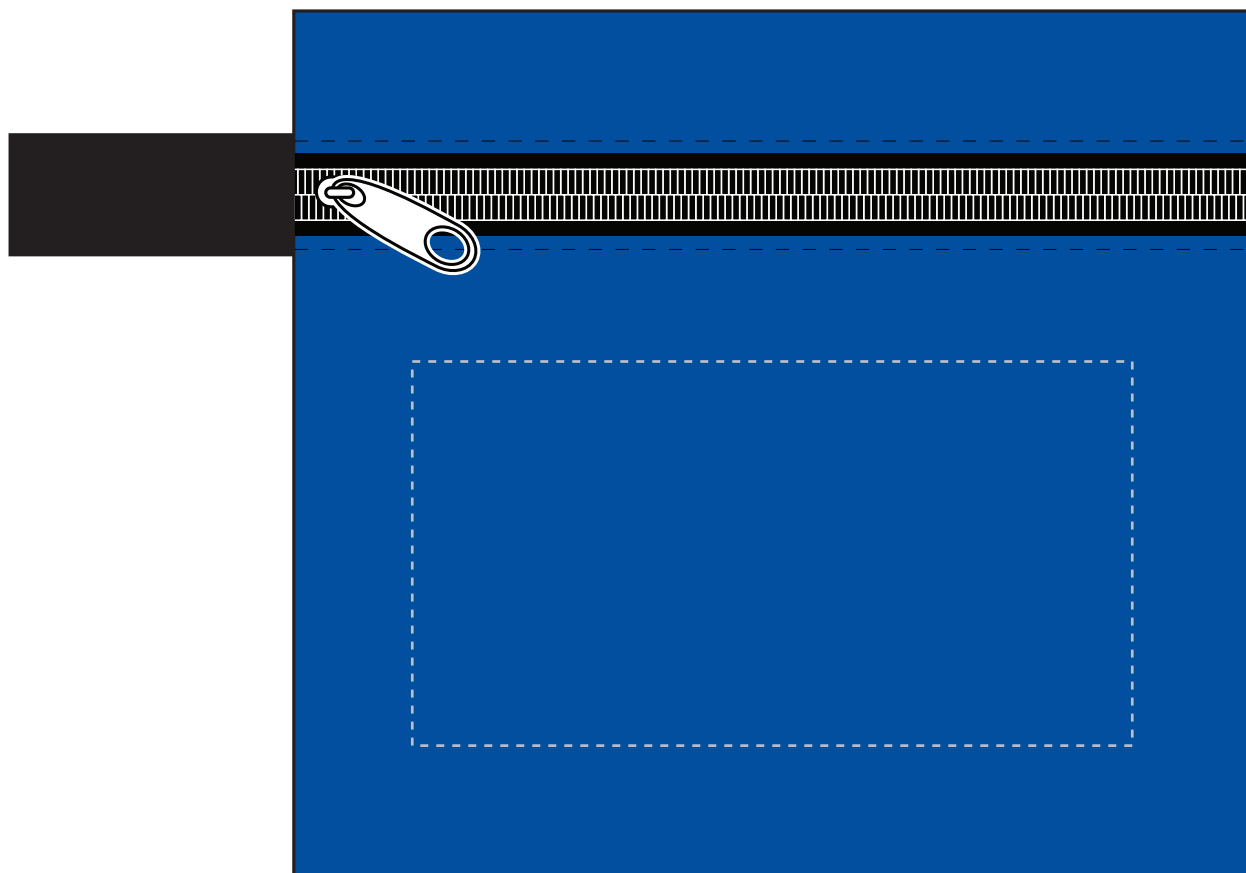
# ITEM # TK110 - Tech Earbud Accessory Kit with Microfiber Cleaning Cloth


Available Color(s) : Blue  
Imprint Area Size : 3-3/4" W x 2" H  
Artwork Format(s) accepted : CMYK TIF 300 dpi (with 0.25" bleed)  
or Vector EPS (type outlined)  
Artwork Recommendations : No type smaller than 7 pt.

Industry standard allows  
1/16" movement in any direction

**Purchase Order #:**

\* Template Shown at 100%  
Border Does Not Print



 Imprint Area

NOT TO SIZE. FOR PLACEMENT ONLY

**ART NOTES:**

# ITEM # TK110 - Tech Earbud Accessory Kit with Microfiber Cleaning Cloth

Available Color(s) : Red

Imprint Area Size : 3-3/4" W x 2" H

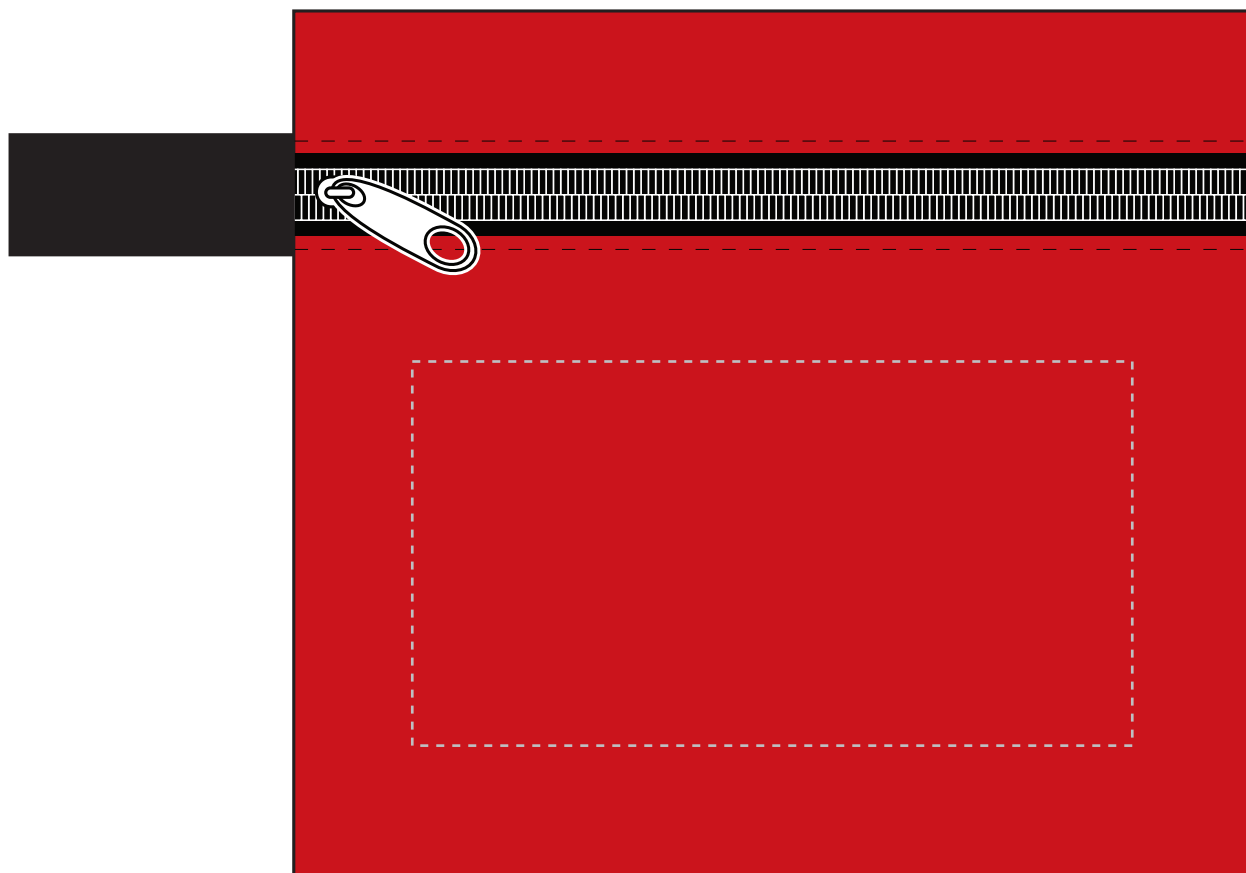
Artwork Format(s) accepted : CMYK TIF 300 dpi (with 0.25" bleed)  
or Vector EPS (type outlined)

Artwork Recommendations : No type smaller than 7 pt.

Industry standard allows  
1/16" movement in any direction

**Purchase Order #:**

\* Template Shown at 100%  
Border Does Not Print



Imprint Area

NOT TO SIZE. FOR PLACEMENT ONLY

**ART NOTES:**