

# ITEM # TK103 - Tech Travel Accessory Kit

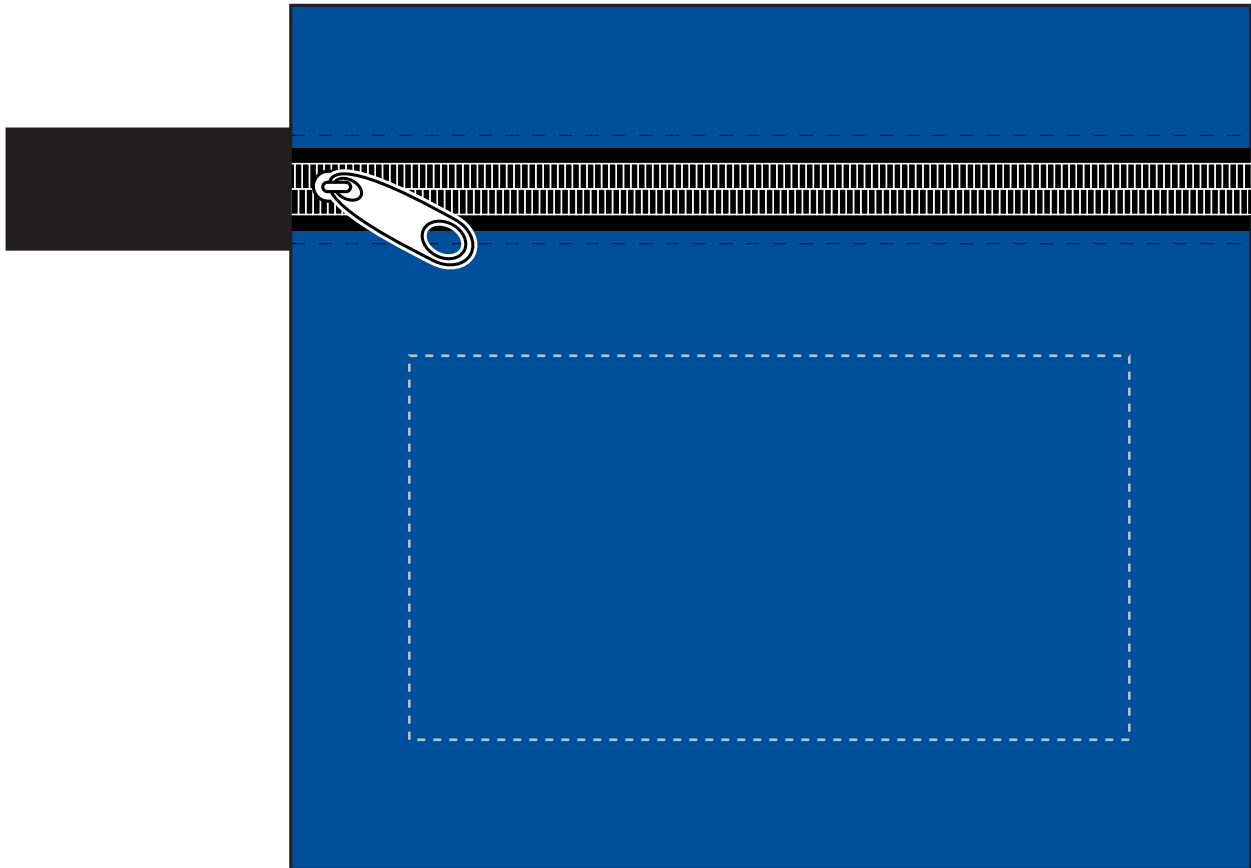
Available Color(s) : Blue  
Imprint Area Size : 3-3/4" W x 2" H  
Artwork Format(s) accepted : CMYK TIF 300 dpi (with 0.25" bleed)  
or Vector EPS (type outlined)  
Artwork Recommendations : No type smaller than 7 pt.

Industry standard allows  
1/16" movement in any direction

Purchase order #:

## One Color Imprint

\* Template Shown at 100%  
Border Does Not Print



 = imprint area

Item # TK103  
Imprint area: 3.75"W x 2"H  
100% of actual size

ART NOTES:

# ITEM # TK103 - Tech Travel Accessory Kit

Available Color(s) : Red

Imprint Area Size : 3-3/4" W x 2" H

Artwork Format(s) accepted : CMYK TIF 300 dpi (with 0.25" bleed)  
or Vector EPS (type outlined)

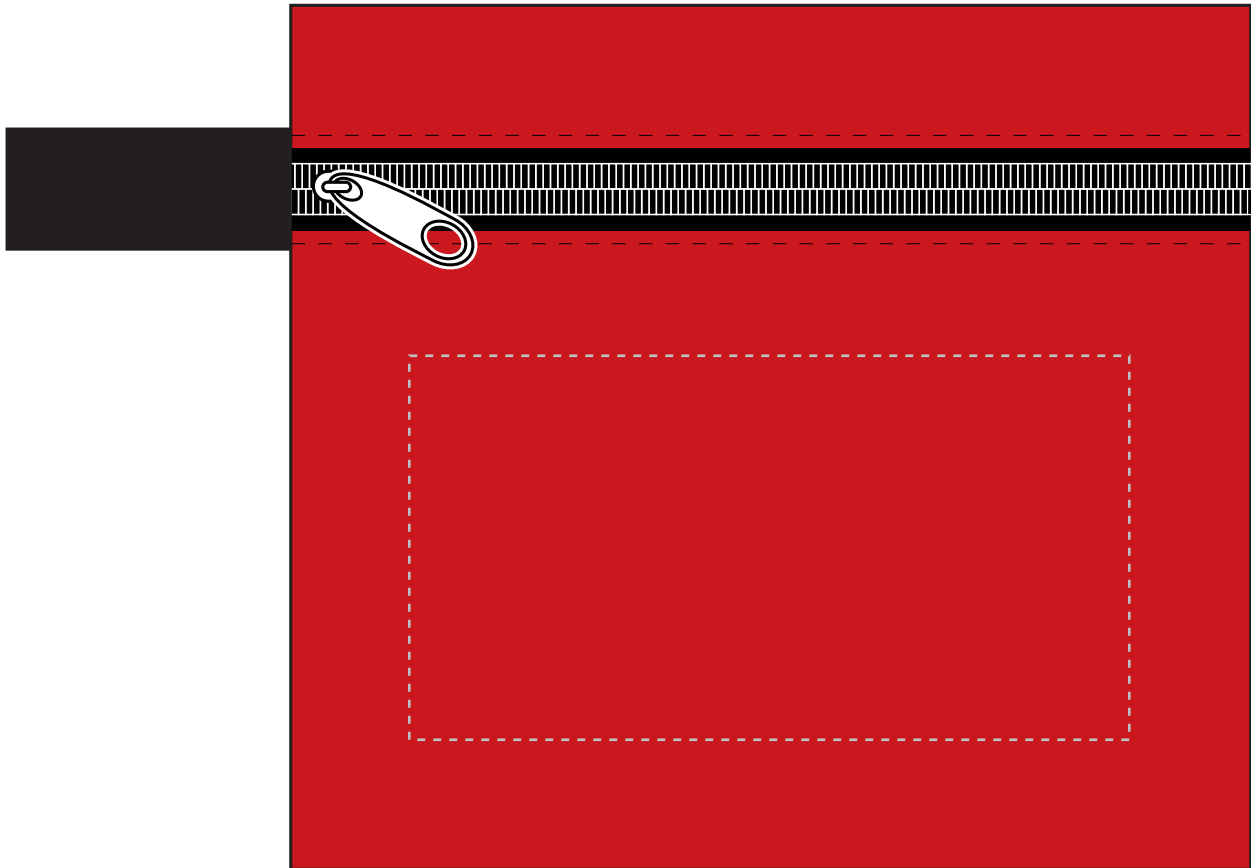
Artwork Recommendations : No type smaller than 7 pt.

Industry standard allows  
1/16" movement in any direction

Purchase order #:

## One Color Imprint

\* Template Shown at 100%  
Border Does Not Print



 = imprint area

Item # TK103  
Imprint area: 3.75"W x 2"H  
100% of actual size

ART NOTES:

# ITEM # TK103 - Tech Travel Accessory Kit

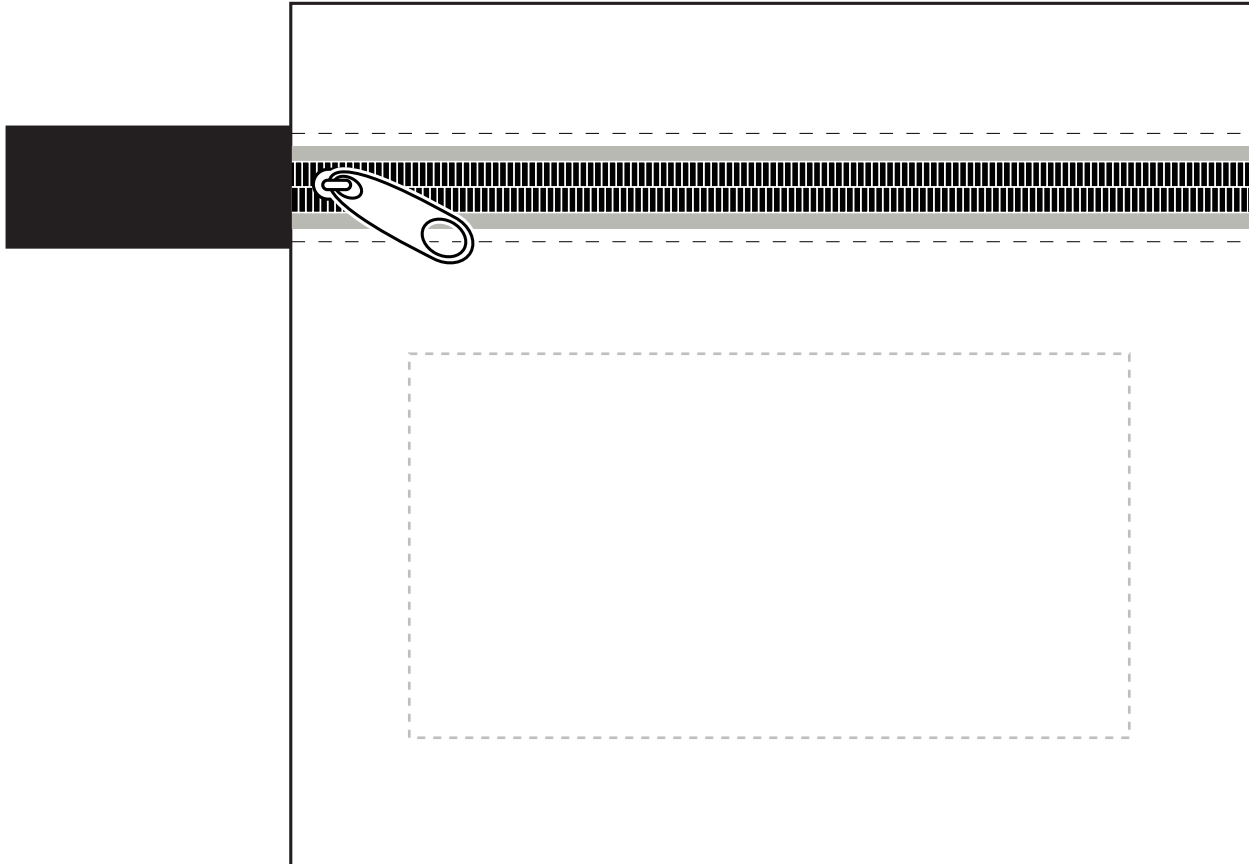
Available Color(s) : White  
Imprint Area Size : 3-3/4" W x 2" H  
Artwork Format(s) accepted : CMYK TIF 300 dpi (with 0.25" bleed)  
or Vector EPS (type outlined)  
Artwork Recommendations : No type smaller than 7 pt.

Industry standard allows  
1/16" movement in any direction

**Purchase order #:**

## One Color Imprint

\* Template Shown at 100%  
Border Does Not Print



 = imprint area

Item # TK103  
Imprint area: 3.75"W x 2"H  
100% of actual size

**ART NOTES:**