

ITEM # TK102 - Mobile Tech Polyester Zipper Pouch

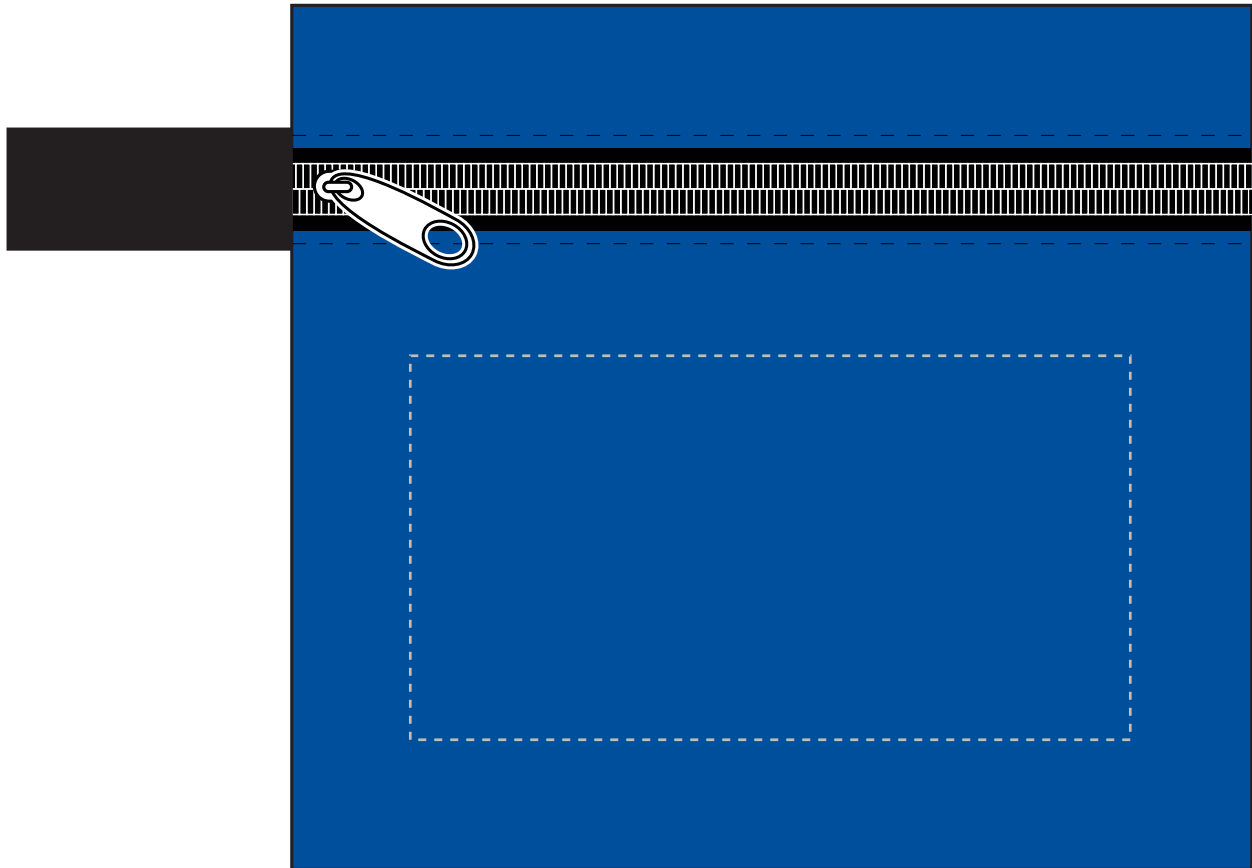
Available Color(s) : Blue
Imprint Area Size : 3-3/4" W x 2" H
Artwork Format(s) accepted : CMYK TIF 300 dpi (with 0.25" bleed)
or Vector EPS (type outlined)
Artwork Recommendations : No type smaller than 7 pt.

Industry standard allows
1/16" movement in any direction

Purchase order #:

One Color Imprint

* Template Shown at 100%
Border Does Not Print



 = imprint area

Item # TK102
Imprint area: 3.75" W x 2" H
100% of actual size

ART NOTES:

ITEM # TK102 - Mobile Tech Polyester Zipper Pouch

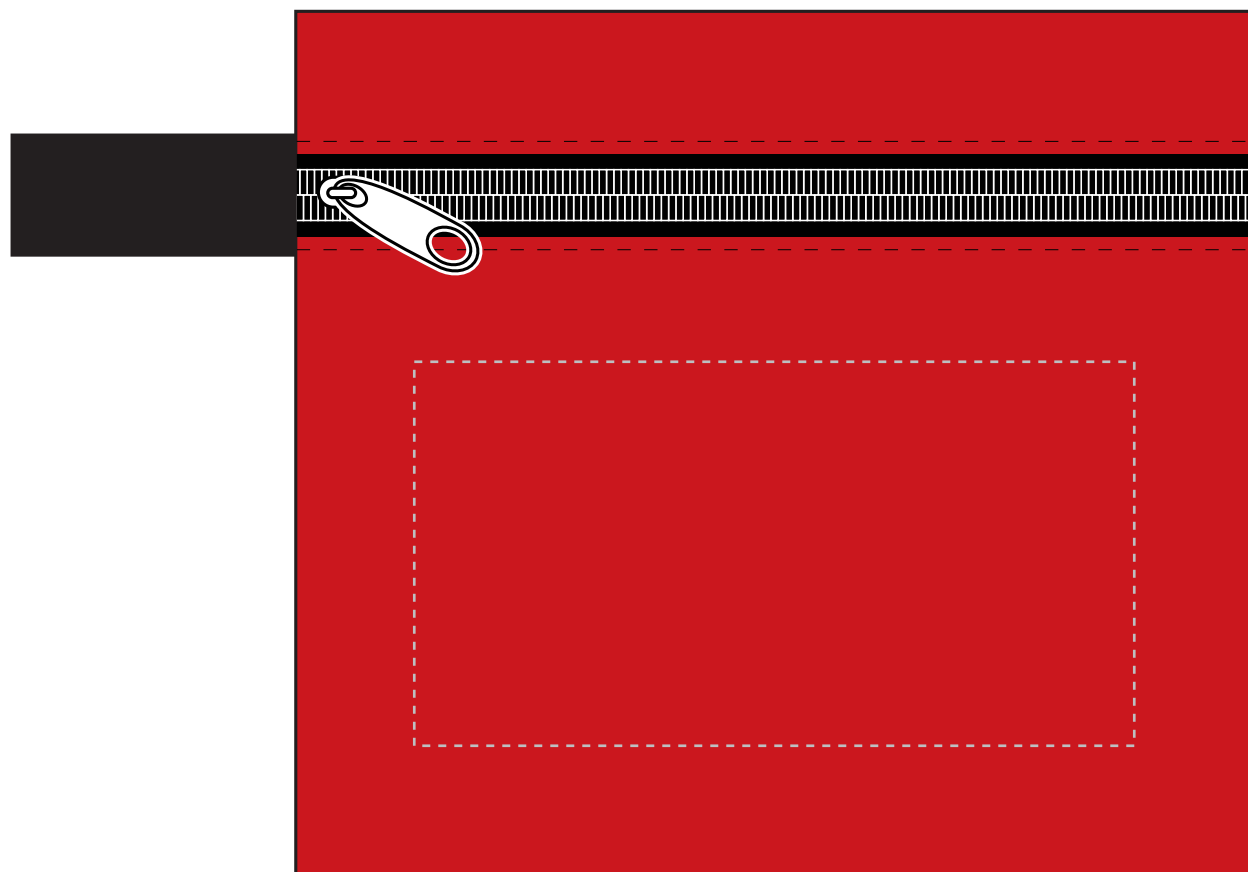
Available Color(s) : Red
Imprint Area Size : 3-3/4" W x 2" H
Artwork Format(s) accepted : CMYK TIF 300 dpi (with 0.25" bleed)
or Vector EPS (type outlined)
Artwork Recommendations : No type smaller than 7 pt.

Industry standard allows
1/16" movement in any direction

Purchase order #:

One Color Imprint

* Template Shown at 100%
Border Does Not Print



 = imprint area

Item # TK102
Imprint area: 3.75" W x 2" H
100% of actual size

ART NOTES:

ITEM # TK102 - Mobile Tech Polyester Zipper Pouch

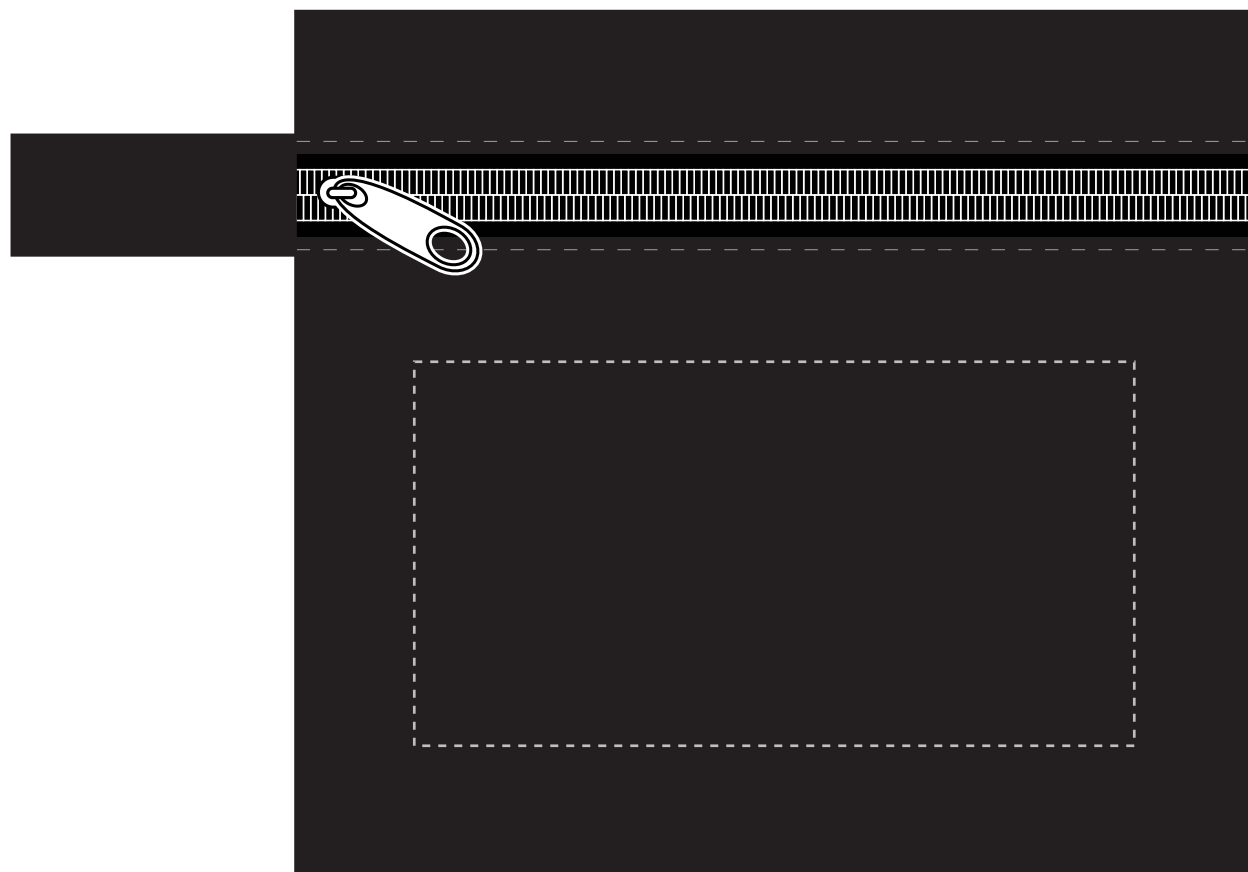
Available Color(s) : Black
Imprint Area Size : 3-3/4" W x 2" H
Artwork Format(s) accepted : CMYK TIF 300 dpi (with 0.25" bleed)
or Vector EPS (type outlined)
Artwork Recommendations : No type smaller than 7 pt.

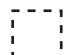
Industry standard allows
1/16" movement in any direction

Purchase order #:

One Color Imprint

* Template Shown at 100%
Border Does Not Print



 = imprint area

Item # TK102
Imprint area: 3.75" W x 2" H
100% of actual size

ART NOTES:

ITEM # TK102 - Mobile Tech Polyester Zipper Pouch

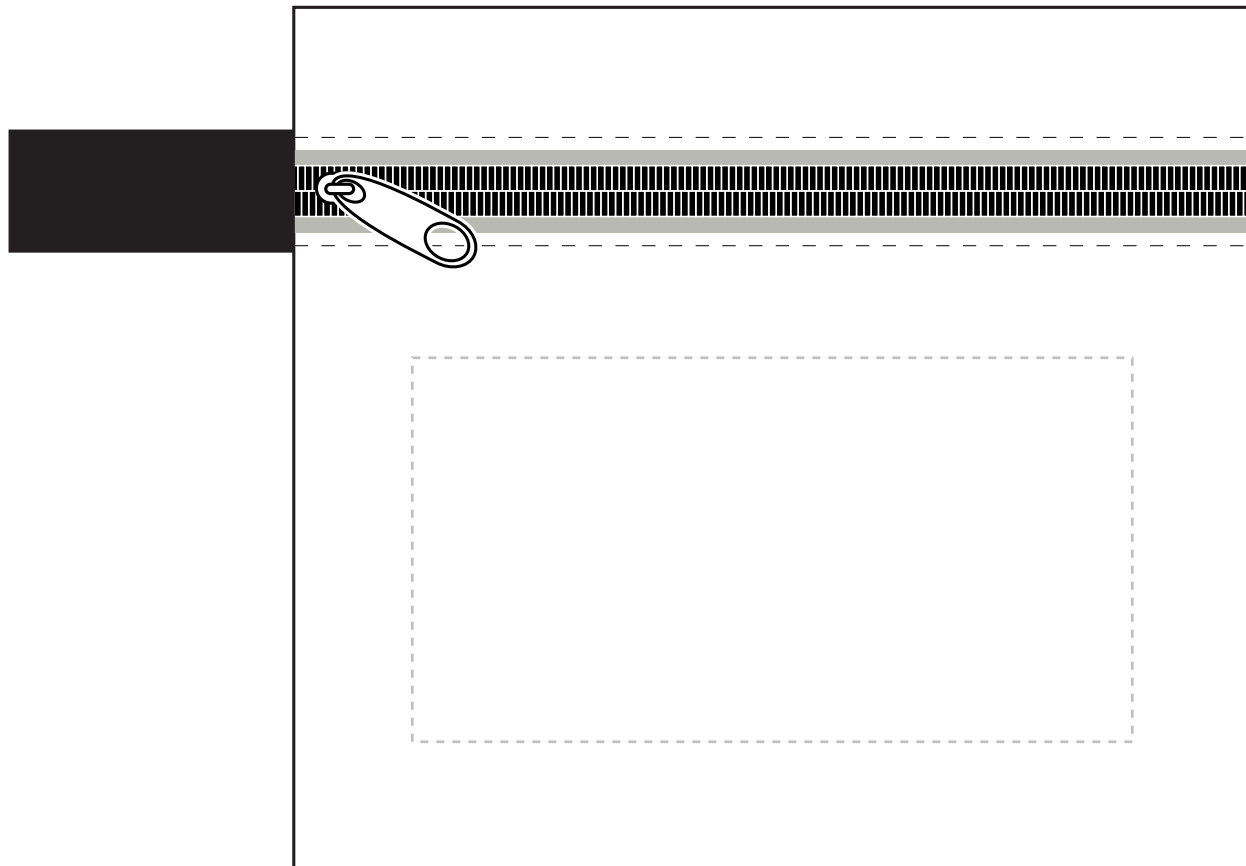
Available Color(s) : White
Imprint Area Size : 3-3/4" W x 2" H
Artwork Format(s) accepted : CMYK TIF 300 dpi (with 0.25" bleed)
or Vector EPS (type outlined)
Artwork Recommendations : No type smaller than 7 pt.


Industry standard allows
1/16" movement in any direction

Purchase order #:

One Color Imprint

* Template Shown at 100%
Border Does Not Print



 = imprint area

Item # TK102
Imprint area: 3.75" W x 2" H
100% of actual size

ART NOTES: