

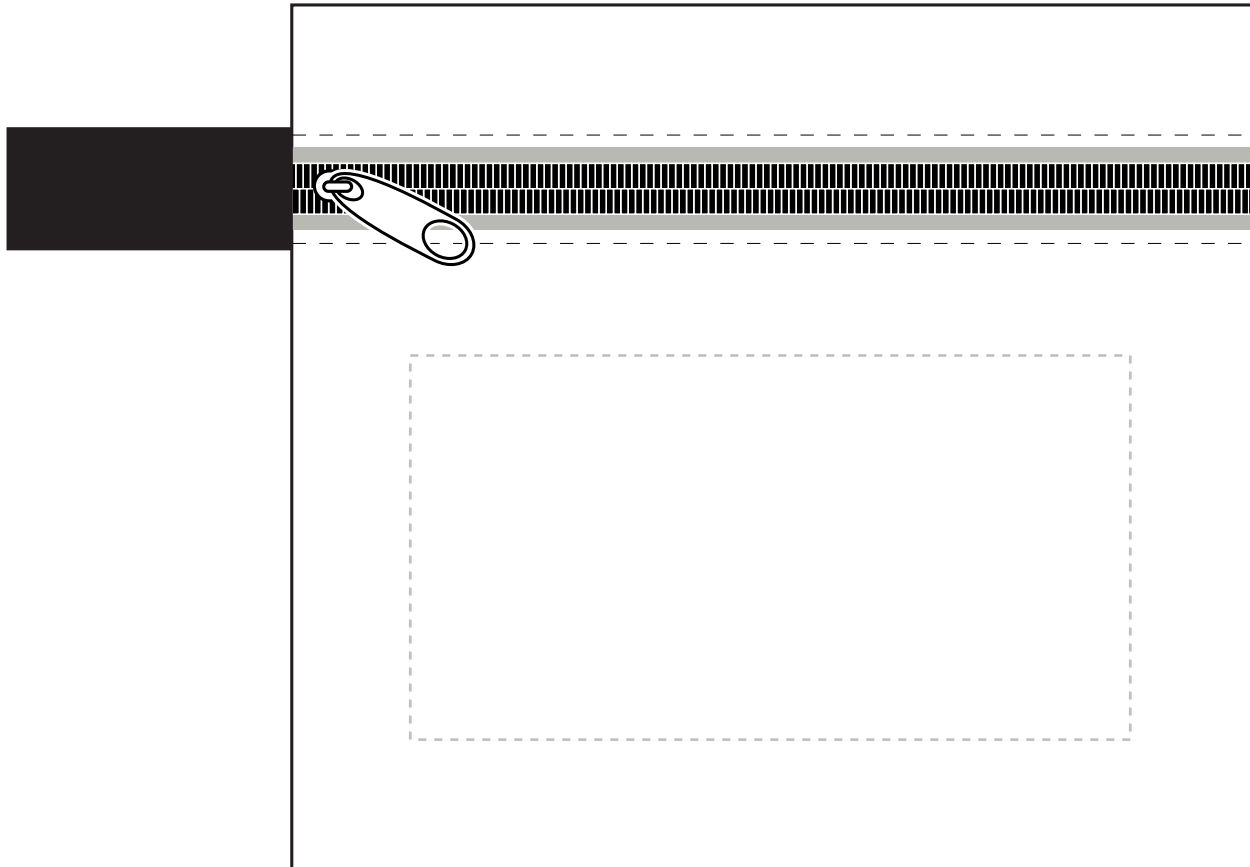
# ITEM # FA125 - 6 Piece Take Everywhere Safety Kit

Available Color(s) : White  
Imprint Area Size : 3-3/4" W x 2"H  
Artwork Format(s) accepted : CMYK TIF 300 dpi (with 0.25" bleed)  
or Vector EPS (type outlined)  
Artwork Recommendations : No type smaller than 7 pt.

Industry standard allows  
1/16" movement in any direction

**Purchase Order #:**

\* Template Shown at 100%  
Border Does Not Print



 = imprint area

**ART NOTES:**

# ITEM # FA125 - 6 Piece Take Everywhere Safety Kit

Available Color(s) : Blue

Imprint Area Size : 3-3/4" W x 2"H

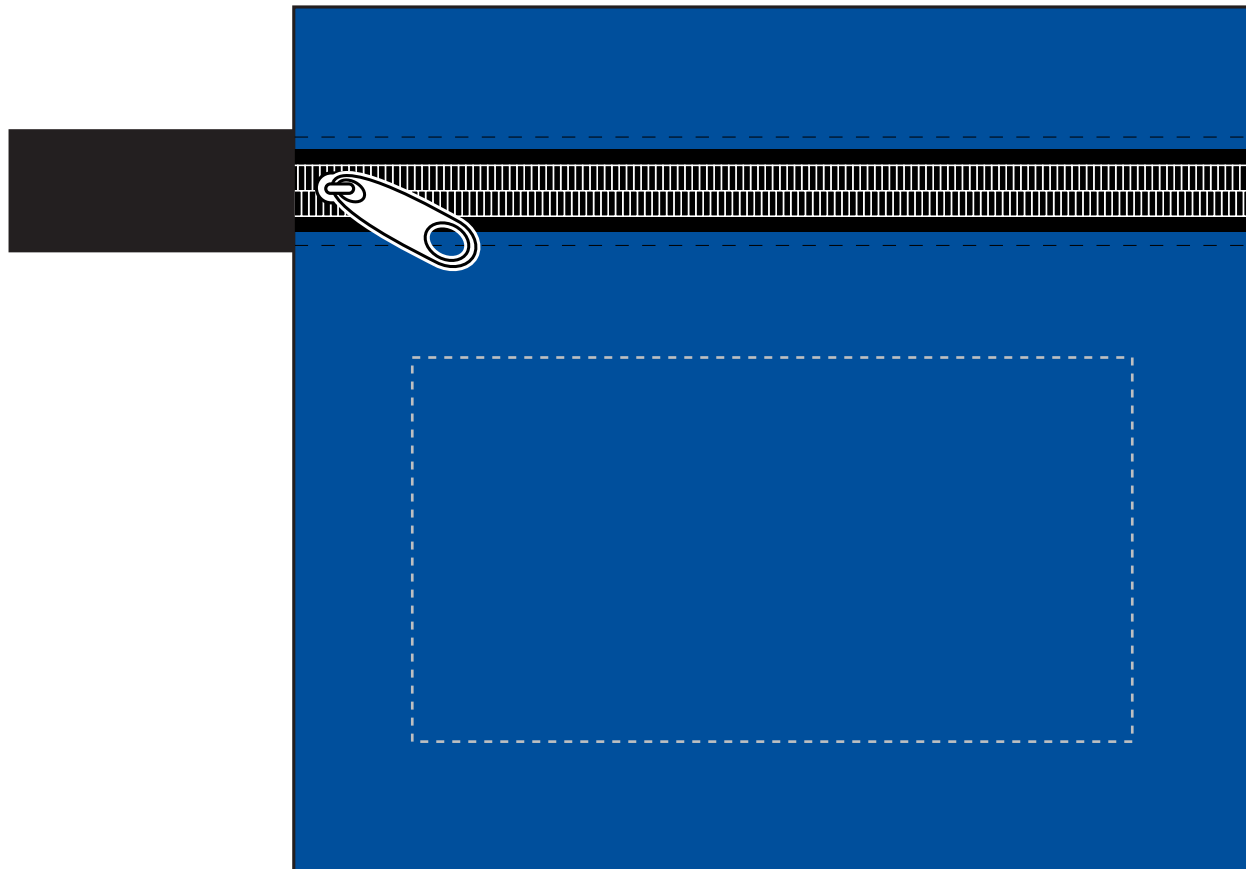
Artwork Format(s) accepted : CMYK TIF 300 dpi (with 0.25" bleed)  
or Vector EPS (type outlined)

Artwork Recommendations : No type smaller than 7 pt.

Industry standard allows  
1/16" movement in any direction

**Purchase Order #:**

\* Template Shown at 100%  
Border Does Not Print



 = imprint area

**ART NOTES:**

# ITEM # FA125 - 6 Piece Take Everywhere Safety Kit

Available Color(s) : Red

Imprint Area Size : 3-3/4" W x 2"H

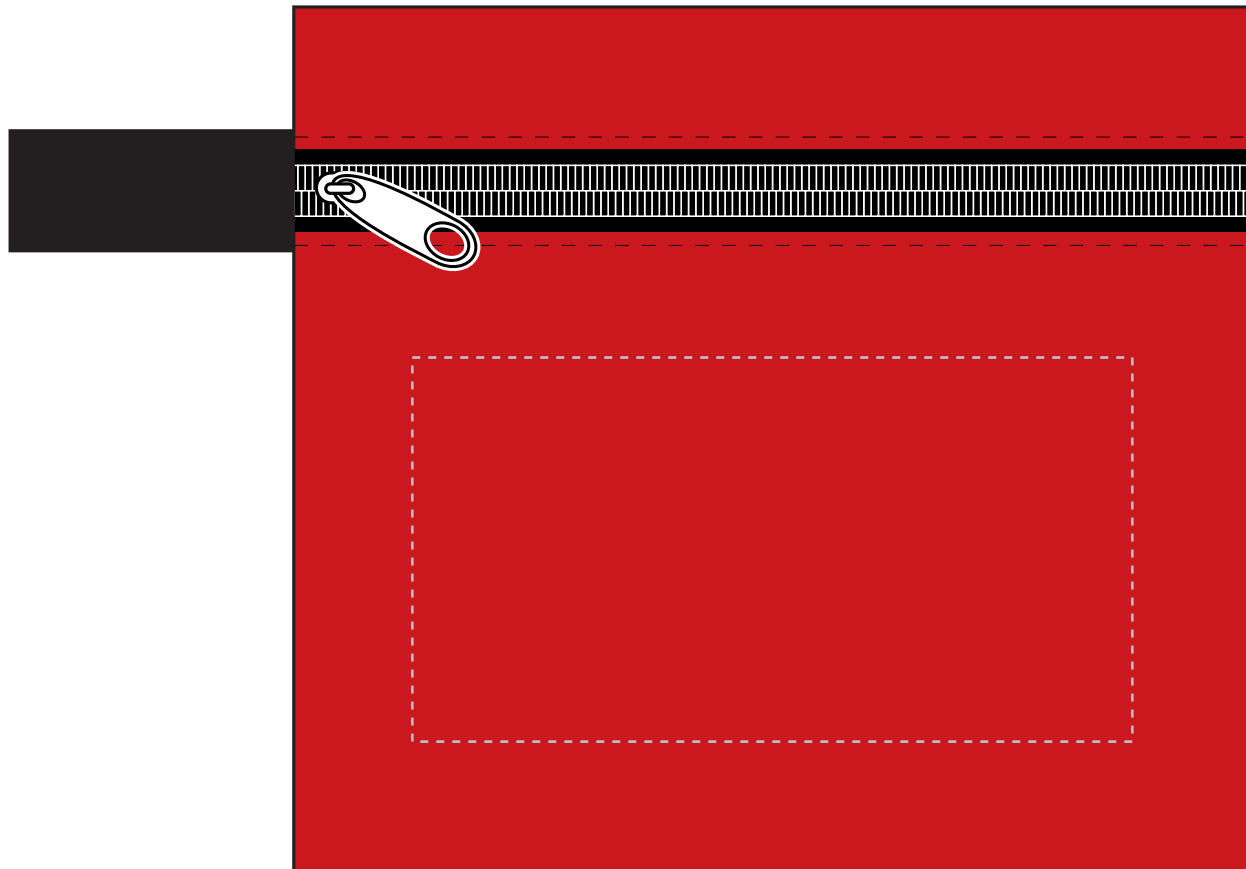
Artwork Format(s) accepted : CMYK TIF 300 dpi (with 0.25" bleed)  
or Vector EPS (type outlined)

Artwork Recommendations : No type smaller than 7 pt.

Industry standard allows  
1/16" movement in any direction

**Purchase Order #:**

\* Template Shown at 100%  
Border Does Not Print



 = imprint area

**ART NOTES:**

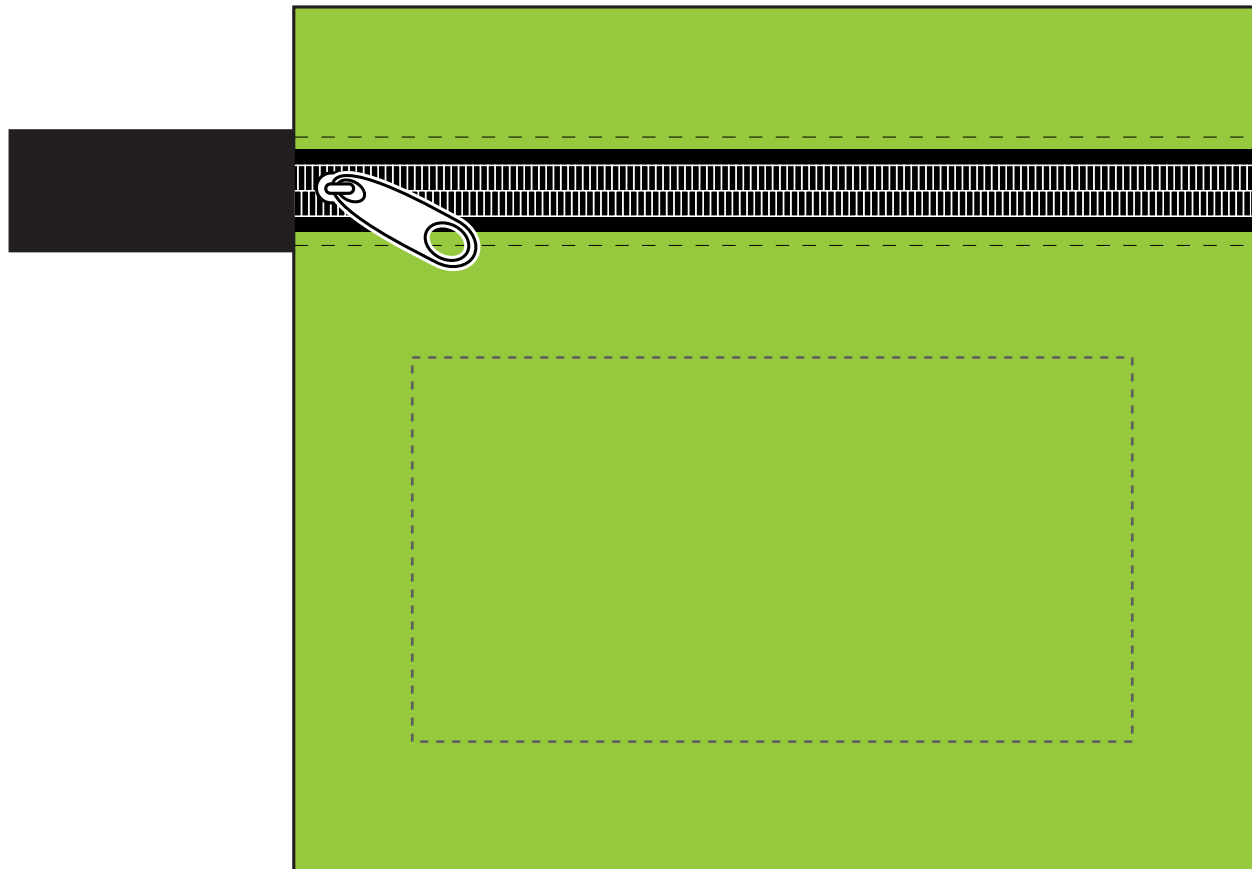
# ITEM # FA125 - 6 Piece Take Everywhere Safety Kit

Available Color(s) : Lime Green  
Imprint Area Size : 3-3/4" W x 2"H  
Artwork Format(s) accepted : CMYK TIF 300 dpi (with 0.25" bleed)  
or Vector EPS (type outlined)  
Artwork Recommendations : No type smaller than 7 pt.

Industry standard allows  
1/16" movement in any direction

**Purchase Order #:**

\* Template Shown at 100%  
Border Does Not Print



 = imprint area

**ART NOTES:**

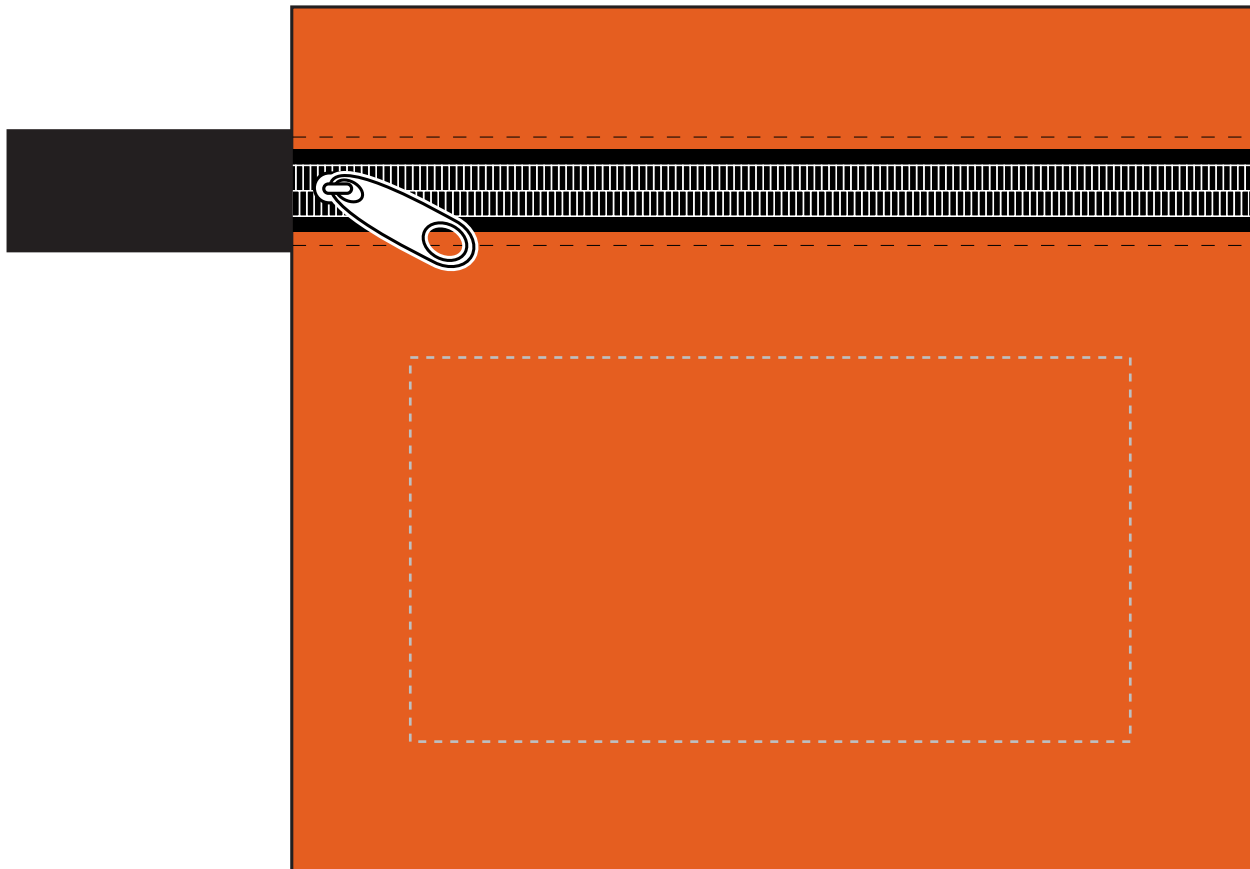
# ITEM # FA125 - 6 Piece Take Everywhere Safety Kit

Available Color(s) : Orange  
Imprint Area Size : 3-3/4" W x 2"H  
Artwork Format(s) accepted : CMYK TIF 300 dpi (with 0.25" bleed)  
or Vector EPS (type outlined)  
Artwork Recommendations : No type smaller than 7 pt.

Industry standard allows  
1/16" movement in any direction

**Purchase Order #:**

\* Template Shown at 100%  
Border Does Not Print



 = imprint area

**ART NOTES:**

# ITEM # FA125 - 6 Piece Take Everywhere Safety Kit

Available Color(s) : Black

Imprint Area Size : 3-3/4" W x 2"H

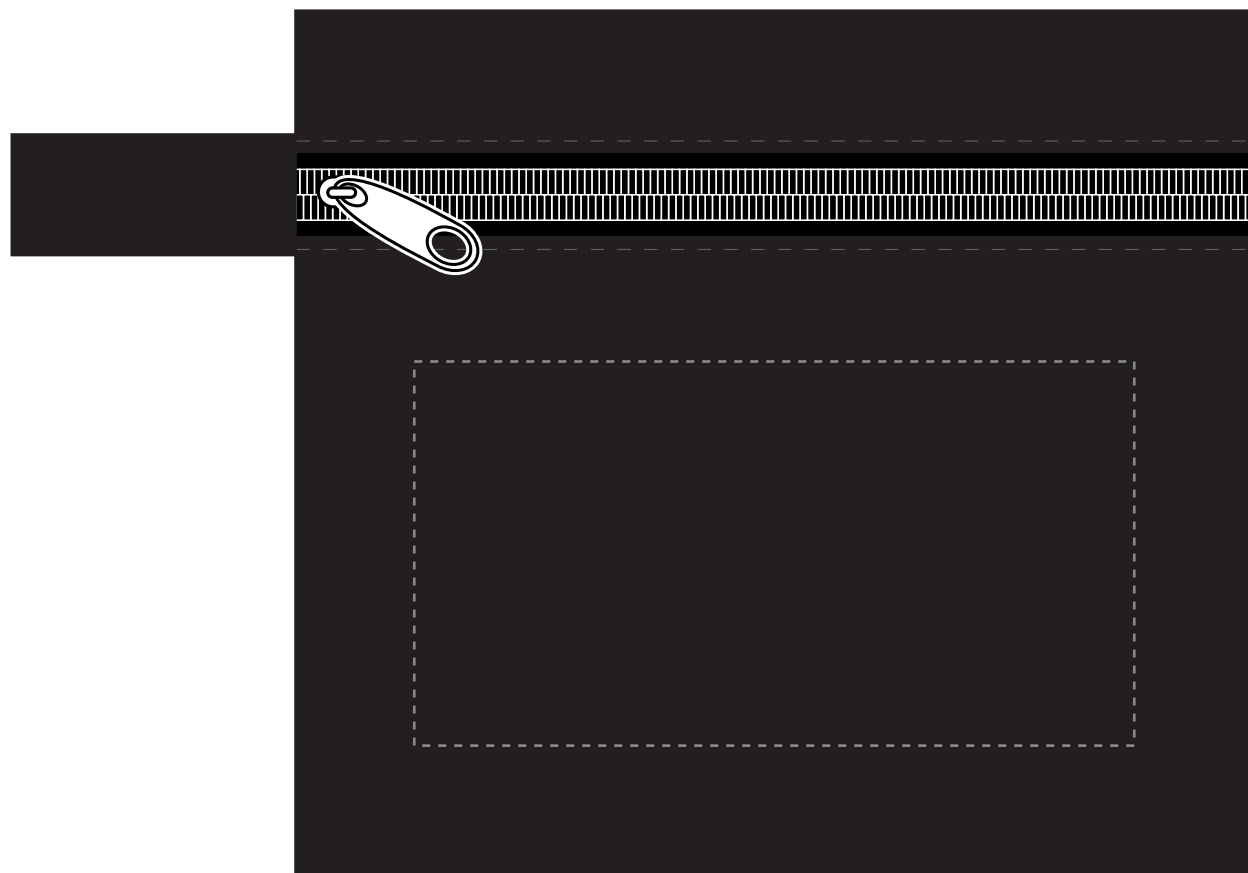
Artwork Format(s) accepted : CMYK TIF 300 dpi (with 0.25" bleed)  
or Vector EPS (type outlined)

Artwork Recommendations : No type smaller than 7 pt.

Industry standard allows  
1/16" movement in any direction

**Purchase Order #:**

\* Template Shown at 100%  
Border Does Not Print



 = imprint area

**ART NOTES:**