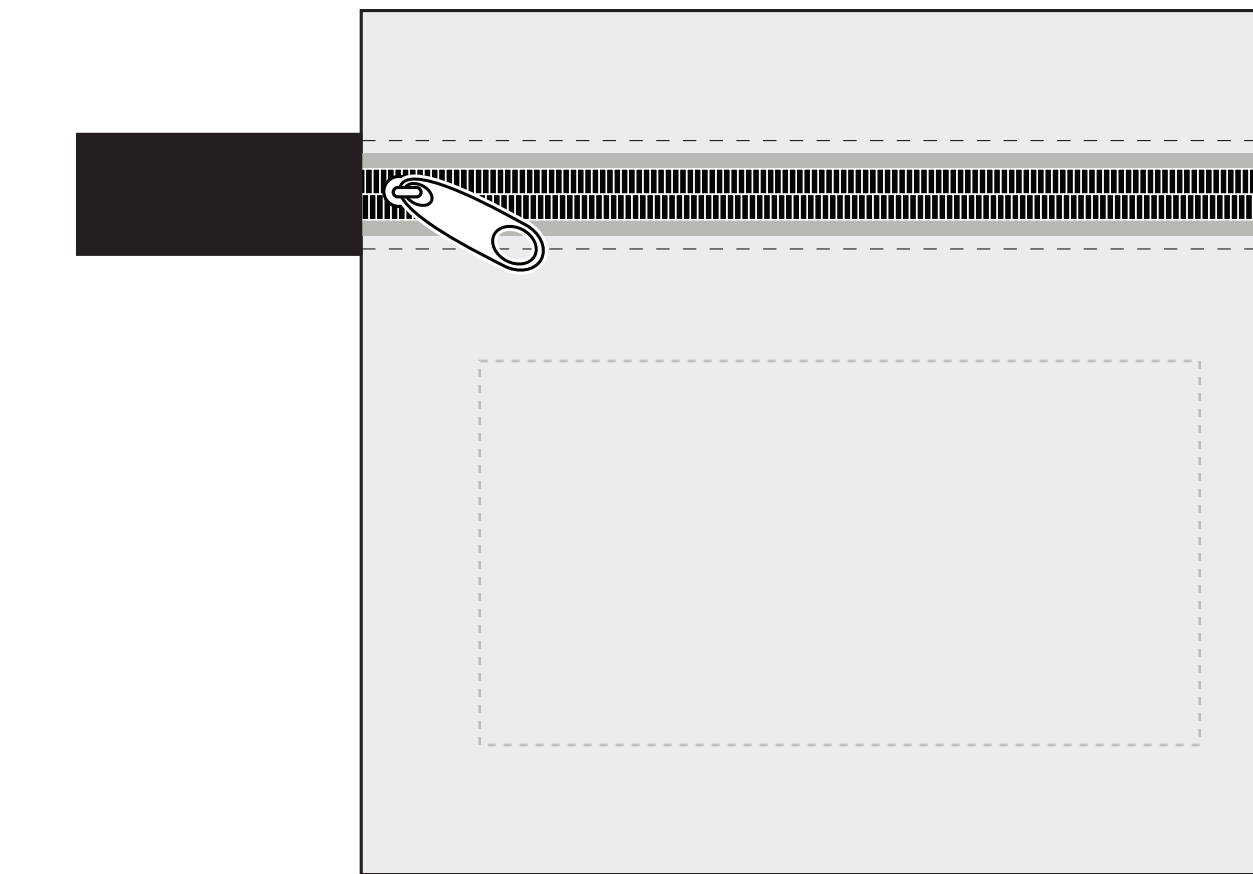
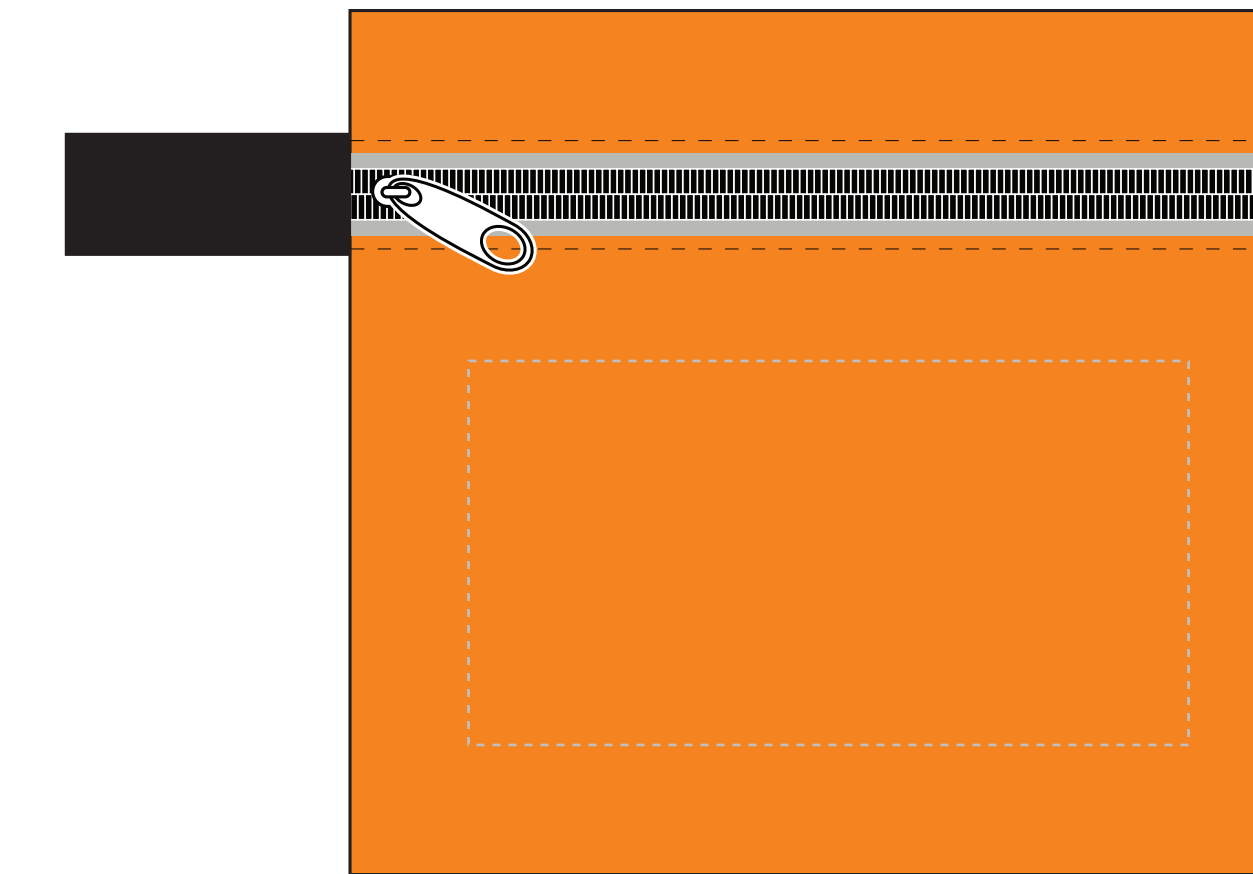
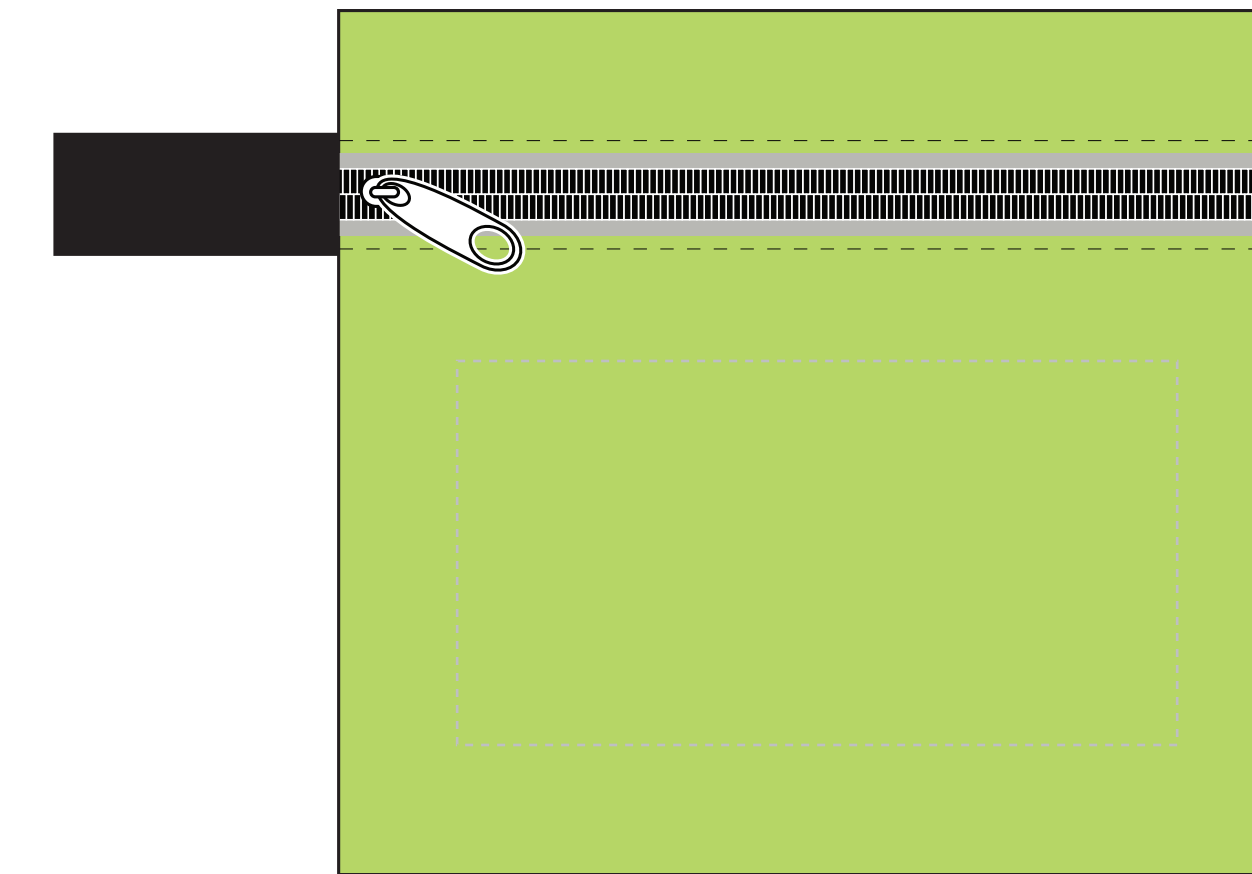
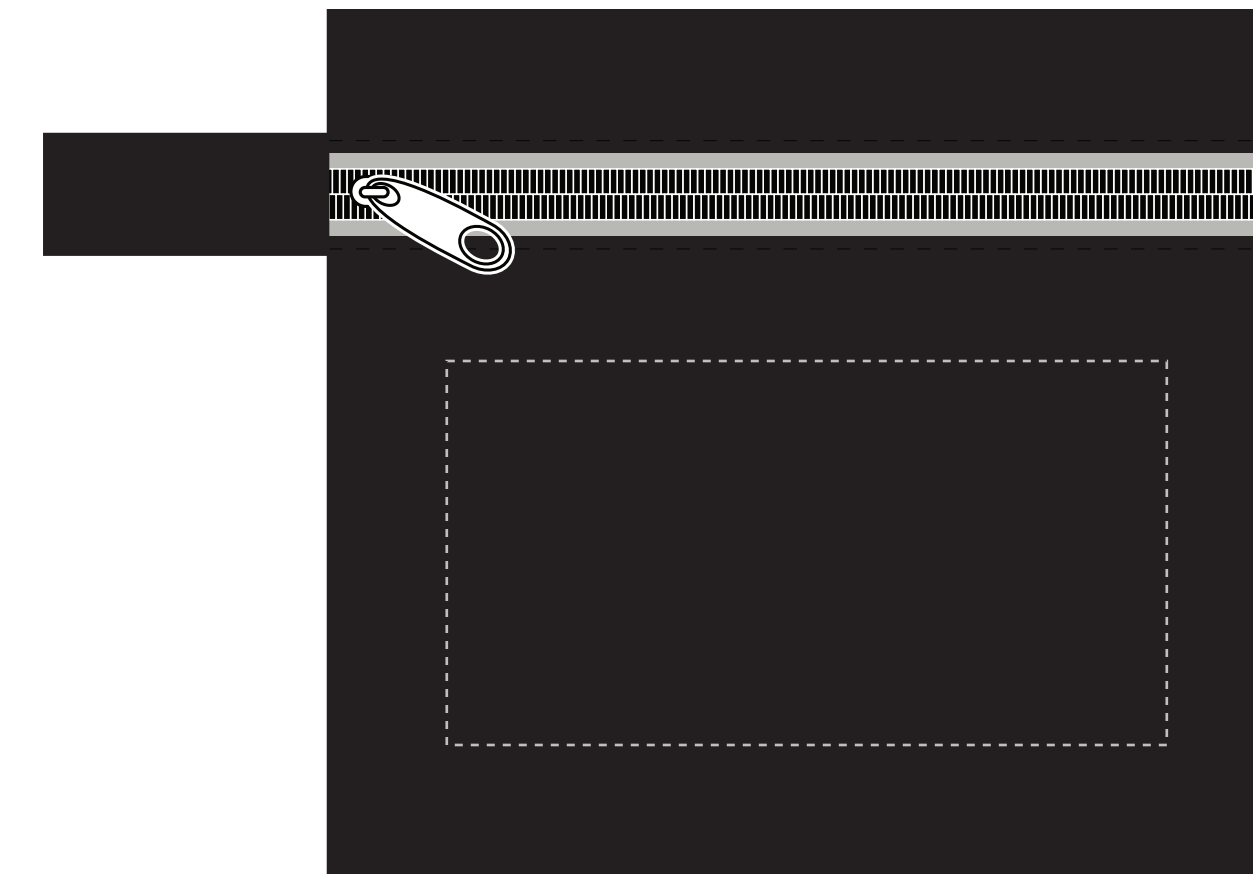
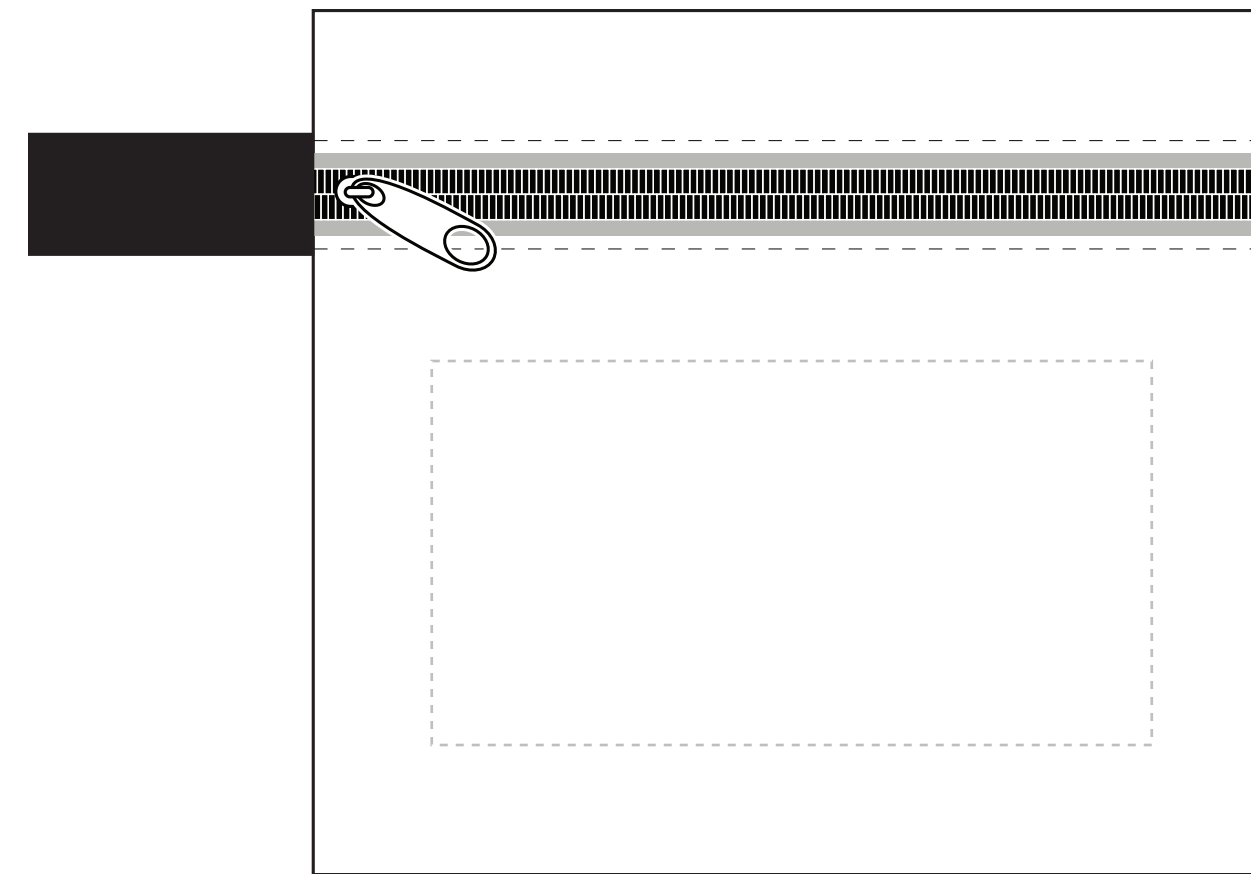
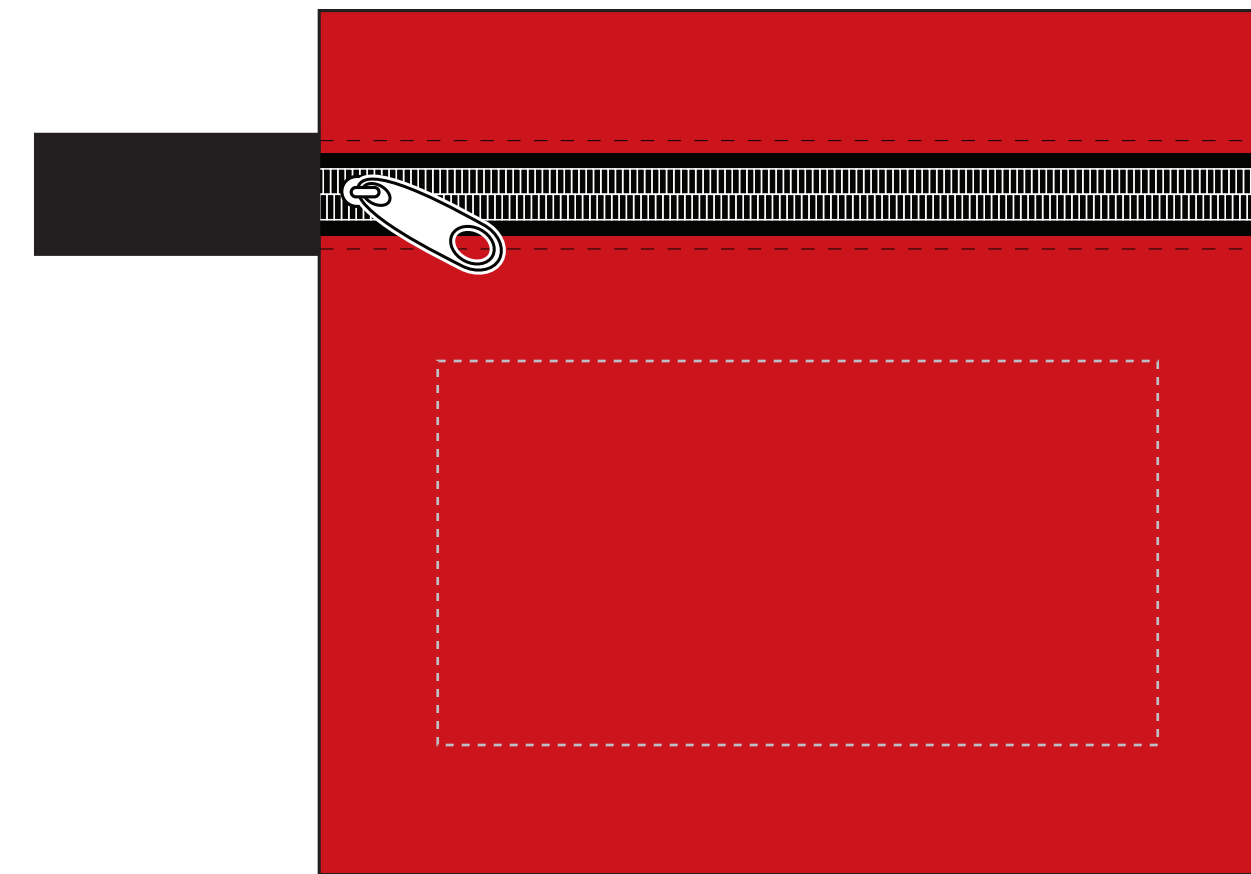
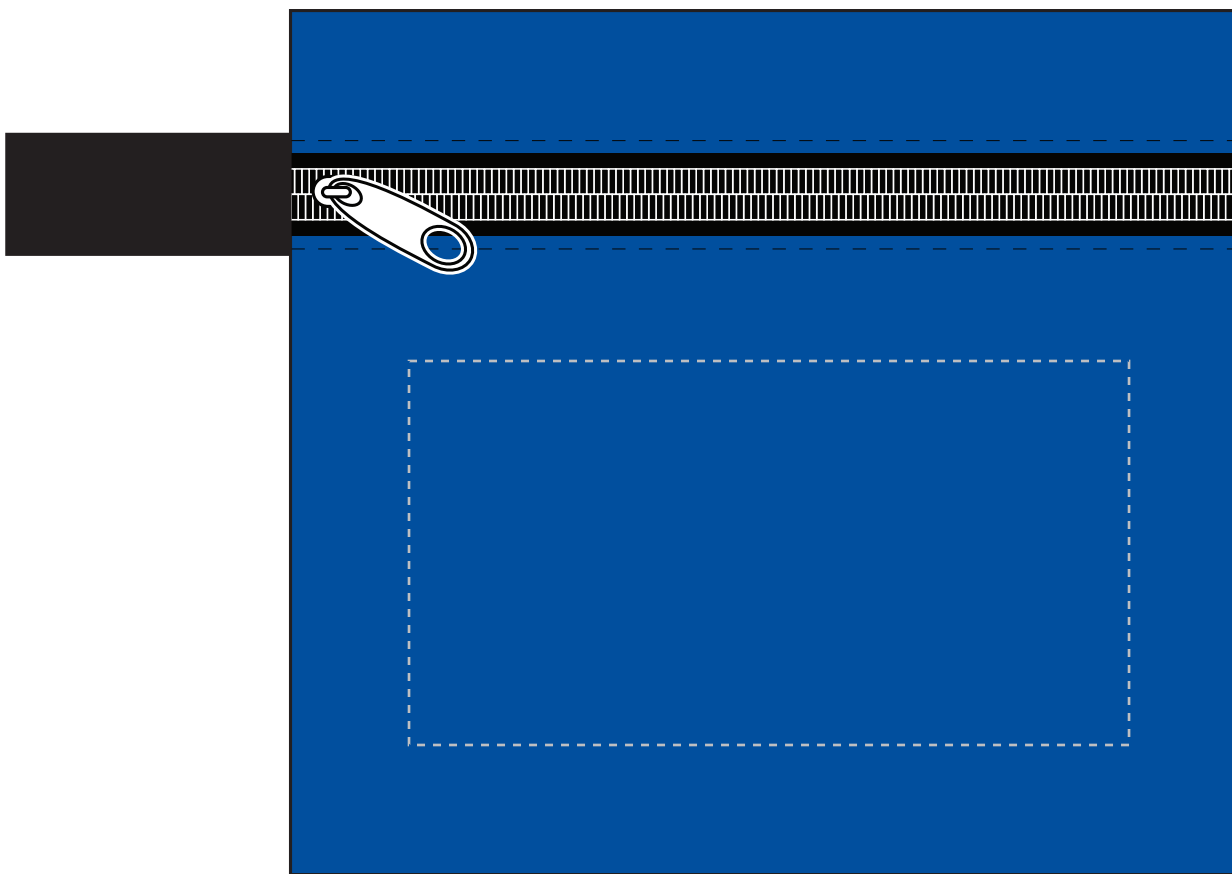
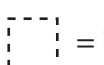


ITEM #FA106, FA107, FA108, FA111



(Clear)

Imprint area: 3.75"W x 2"H
100% of actual size

 = imprint area