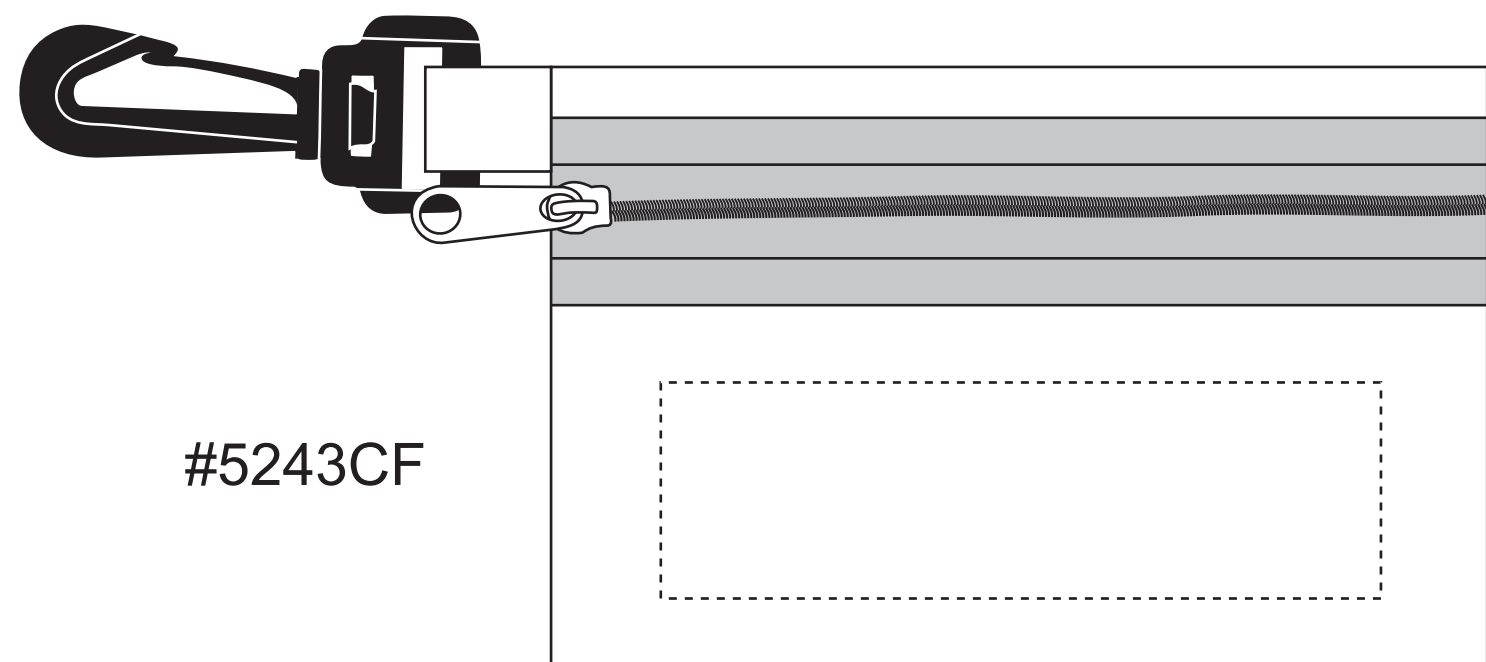
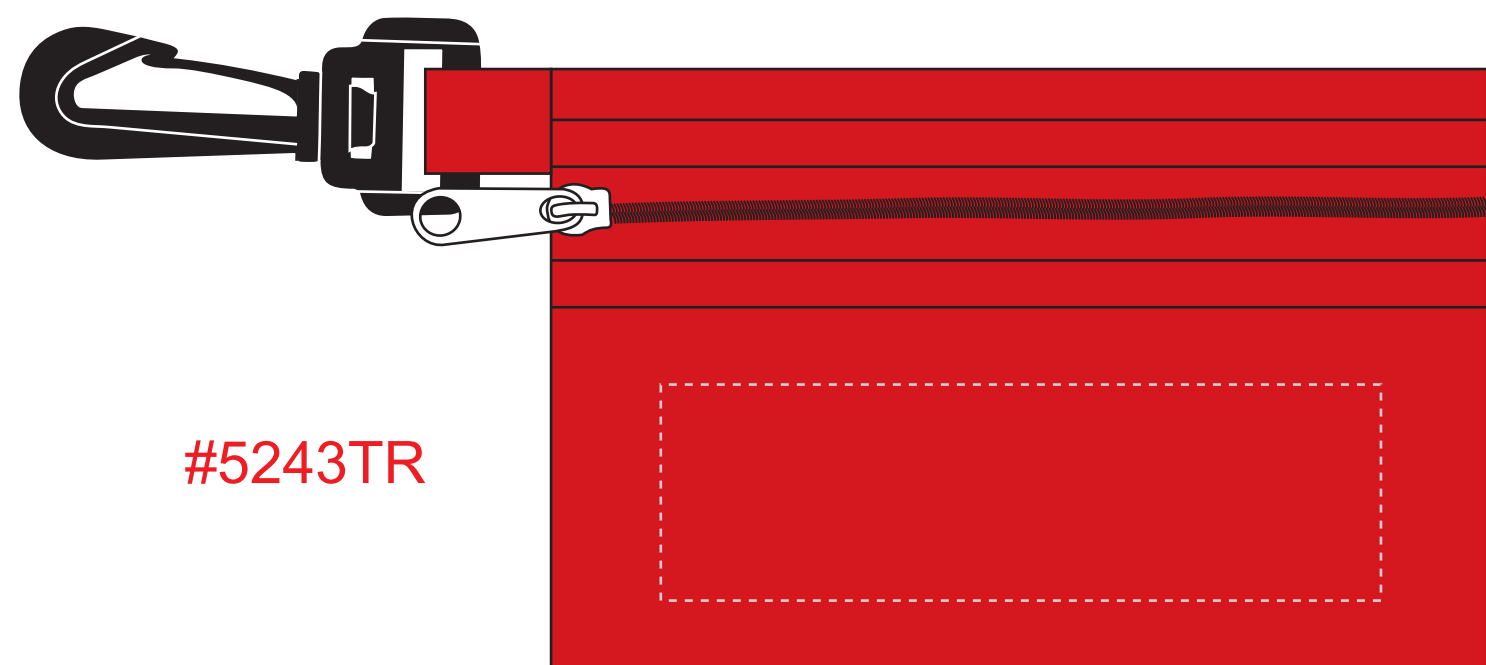
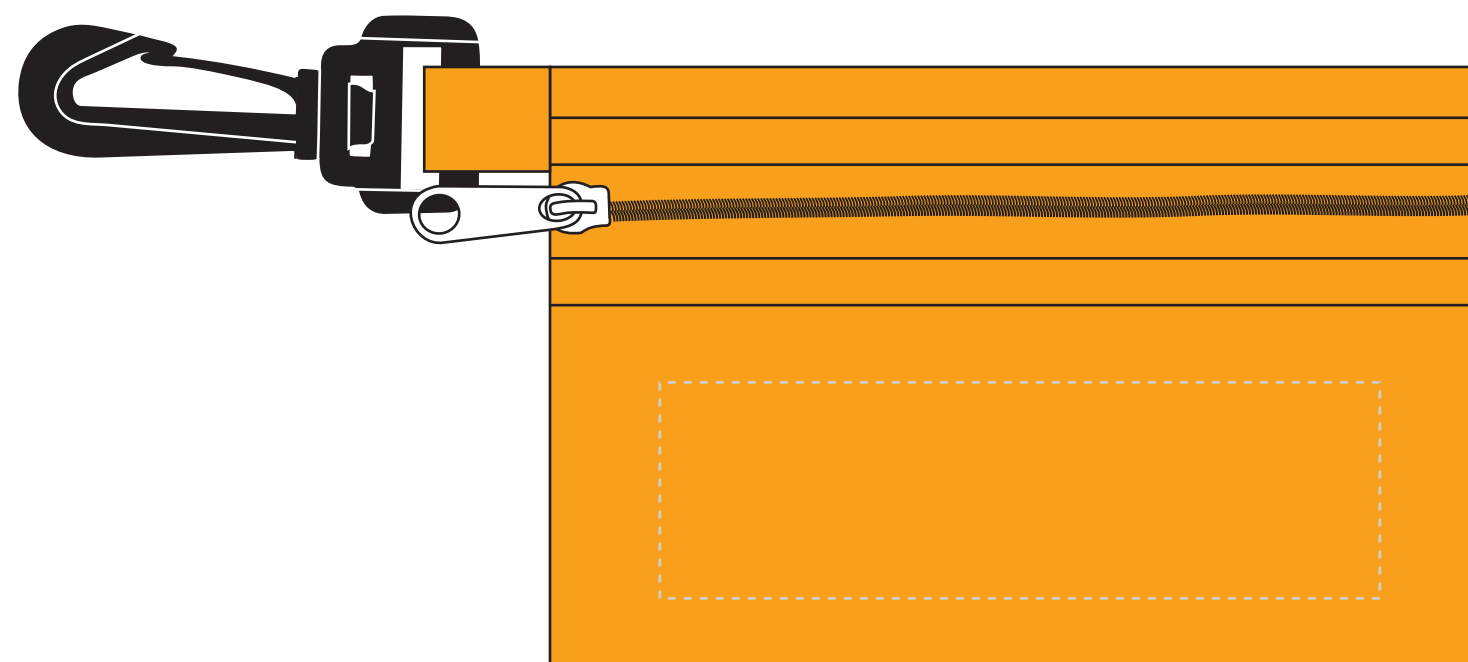


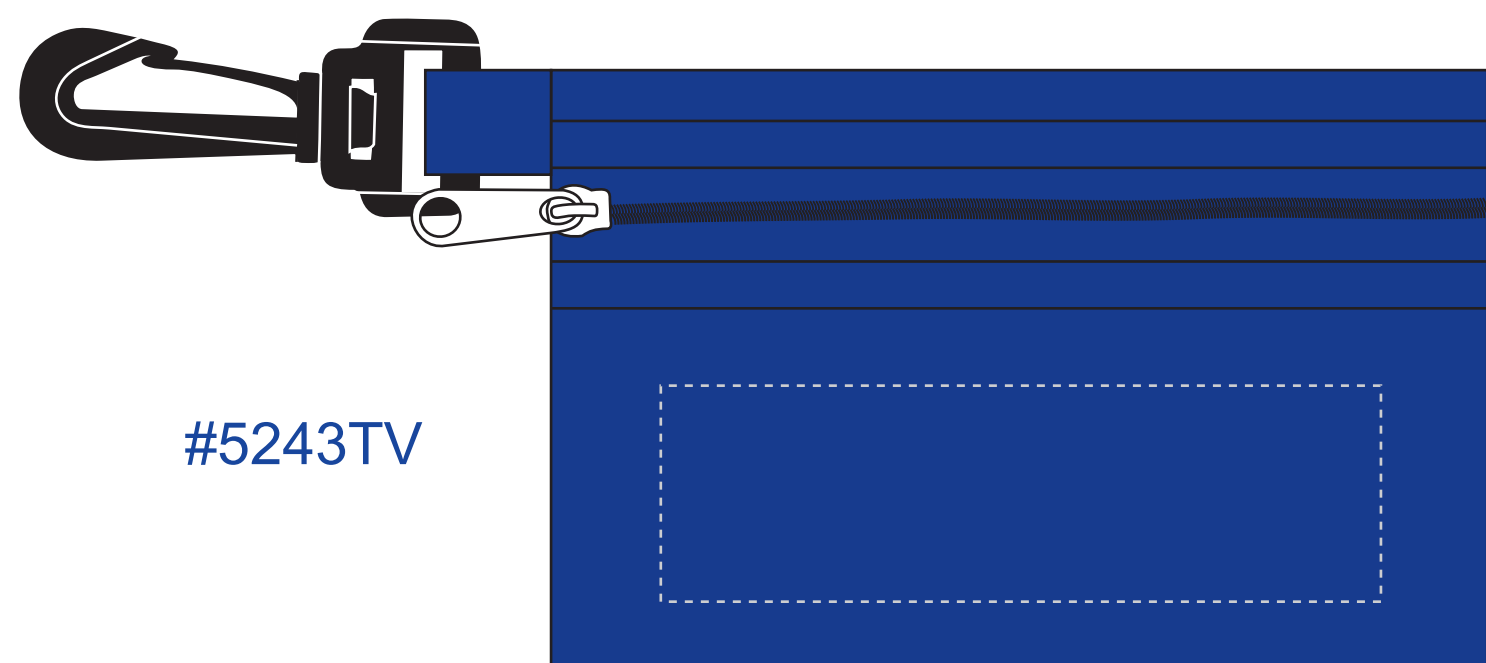
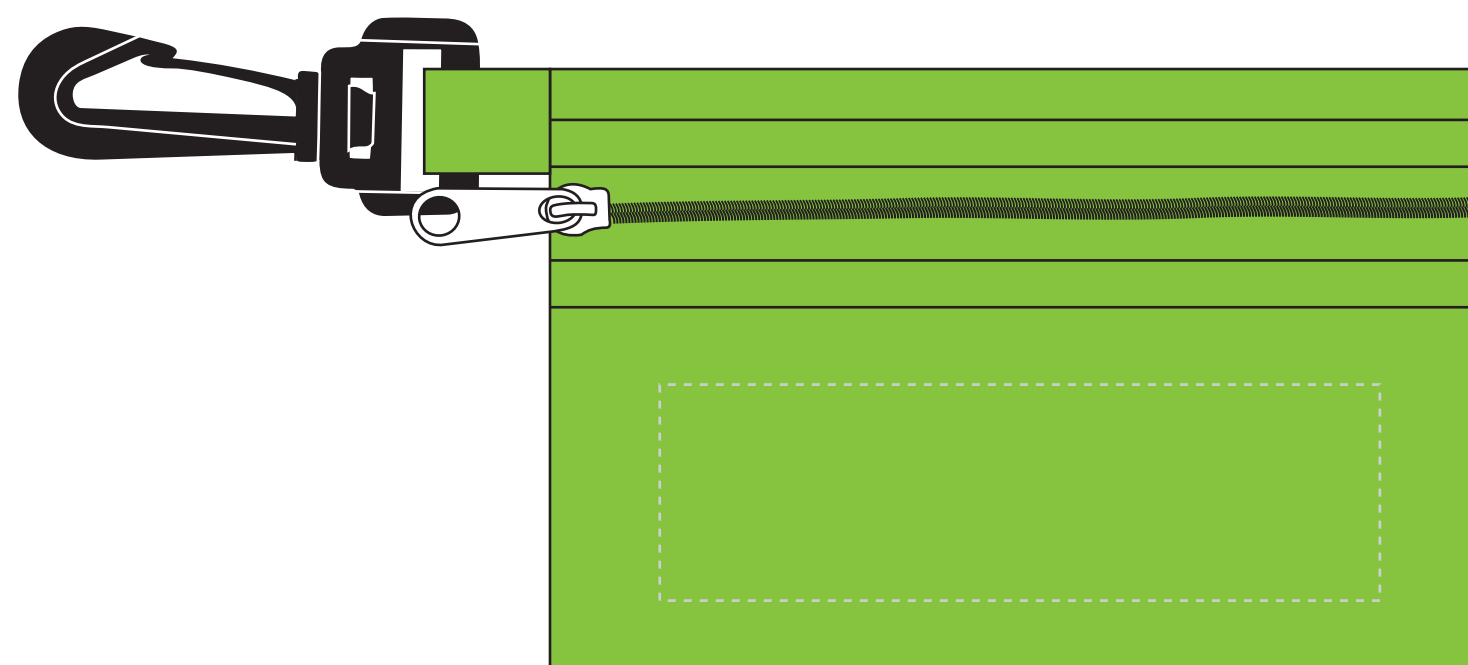
# ITEM #5243



#5243CF



#5243TR



#5243TV

 = imprint area

Item # 5243  
Imprint area: 3.75" X 1.125"  
100% of actual size