

ITEM # 1468 - Vanguard Plaques - 8 3/4" x 10"

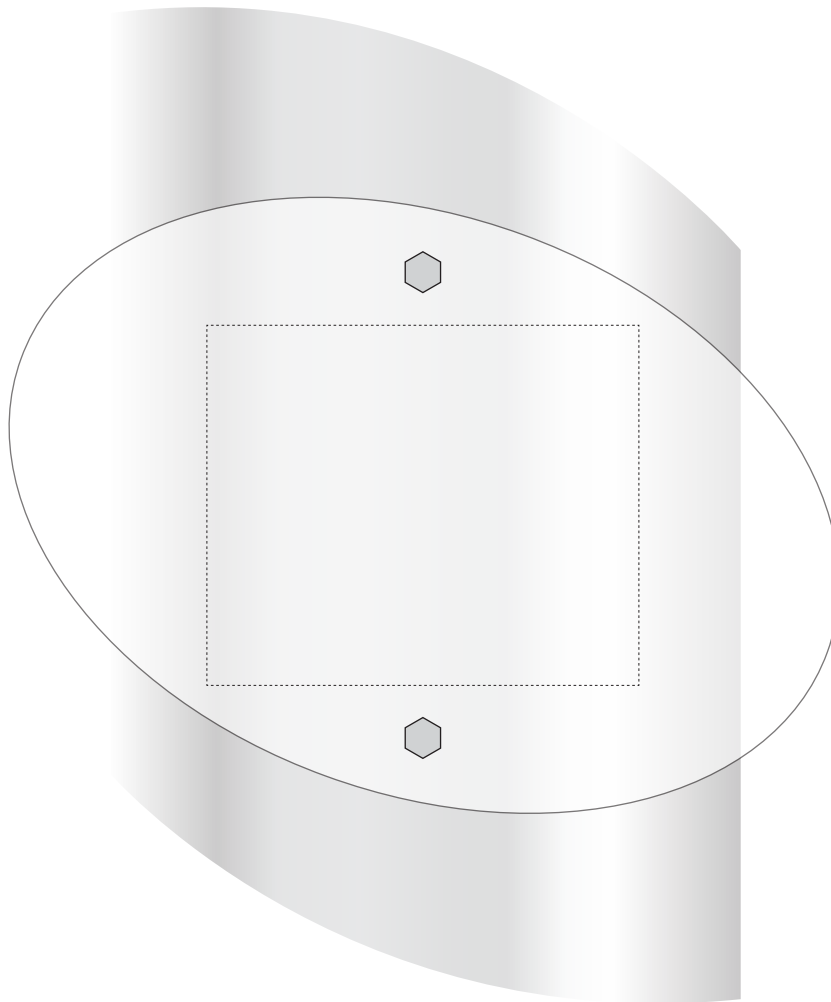
Available Color(s) :
Imprint Area Size : 4 1/2" x 3 3/4"
Artwork Format(s) accepted : CMYK TIF 300 dpi (with 0.25" bleed)
or Vector EPS (type outlined)
Artwork Recommendations : No type smaller than 7 pt.

Industry standard allows
1/16" movement in any direction

Purchase Order #:

Screen/ Laser/ 4-cp

* Template Shown at 50%
Border Does Not Print



 Imprint Area

ART NOTES: